

ANLET
3 LOBES BLOWER

ANLET ROOTS BLOWER

BO Series

~ Introducing a new roots blower for water treatment ~

New *High pressure type debut.*



Would you like to save energy and reduce noise with water treatment?

Our company believes that we should protect the future of the earth, so each and every employee engages in environmental administration.



ANLET CO., LTD.



BO Type



Performance chart B050~200

Model	Bore	Speed min ⁻¹	Standard suction air capacity (m ³ /min) and power requirements (kW)															
			10kPa		20kPa		30kPa		40kPa		50kPa		60kPa		70kPa		80kPa	
			m ³ /min	kW	m ³ /min	kW	m ³ /min	kW	m ³ /min	kW	m ³ /min	kW	m ³ /min	kW	m ³ /min	kW	m ³ /min	kW
BO 50	50A (2B)	1150	1.58	0.5	1.40	0.8	1.24	1.2	1.09	1.5	0.96	1.8	0.83	2.2				
		1250	1.76	0.6	1.59	1.0	1.43	1.3	1.28	1.6	1.14	2.0	1.02	2.4				
		1350	1.95	0.7	1.77	1.1	1.62	1.5	1.47	1.8	1.33	2.2	1.21	2.6				
		1400	2.05	0.7	1.87	1.1	1.71	1.5	1.56	1.9	1.43	2.3	1.30	2.7				
		1550	2.33	0.7	2.15	1.2	2.00	1.6	1.85	2.0	1.71	2.4	1.59	2.9				
		1700	2.61	0.8	2.44	1.3	2.28	1.8	2.13	2.2	2.00	2.7	1.87	3.2	1.74	3.7	1.62	4.2
		1950	3.06	1.0	2.89	1.4	2.73	2.0	2.58	2.5	2.45	3.1	2.32	3.7	2.19	4.3	2.06	4.9
		2250	3.60	1.2	3.43	1.9	3.27	2.5	3.12	3.2	2.99	3.9	2.86	4.5	2.73	5.1	2.60	5.7
BO 65	65A (2½B)	1150	2.12	0.7	1.94	1.1	1.82	1.6	1.72	2.0	1.61	2.5						
		1250	2.32	0.8	2.14	1.2	2.01	1.8	1.89	2.3	1.79	2.8	1.70	3.4				
		1400	2.75	0.9	2.57	1.4	2.45	2.0	2.34	2.6	2.28	3.2	2.19	3.8				
		1550	3.13	1.1	2.98	1.6	2.87	2.2	2.76	2.9	2.71	3.6	2.60	4.3	2.49	5.0		
		1700	3.46	1.1	3.34	1.7	3.20	2.4	3.12	3.1	3.04	3.8	2.95	4.6	2.86	5.4	2.77	6.2
		1950	4.03	1.5	3.90	2.2	3.79	3.0	3.69	3.8	3.62	4.6	3.55	5.5	3.48	6.4	3.41	7.3
		2250	4.65	1.7	4.52	2.5	4.39	3.5	4.33	4.3	4.25	5.2	4.18	6.3	4.11	7.4	4.04	8.5
		BO 80	80A (3B)	1150	3.35	1.0	3.18	1.7	3.00	2.4	2.87	3.1	2.76	3.8	2.65	4.5	2.53	5.2
1250	3.73			1.1	3.56	1.8	3.38	2.6	3.24	3.4	3.14	4.2	3.02	5.0	2.91	5.8	2.79	6.6
1400	4.29			1.3	4.13	2.1	3.95	3.0	3.81	3.8	3.71	4.7	3.59	5.6	3.48	6.5	3.36	7.4
1550	4.86			1.4	4.69	2.3	4.52	3.3	4.38	4.2	4.27	5.2	4.16	6.2	4.04	7.2	3.93	8.2
1700	5.43			1.5	5.26	2.5	5.08	3.6	4.95	4.6	4.84	5.7	4.73	6.8	4.61	7.9	4.49	9.0
1850	5.97			1.7	5.80	2.8	5.62	4.0	5.49	5.1	5.38	6.3	5.27	7.5	5.16	8.7	5.05	9.9
2050	6.69			2.0	6.52	3.2	6.34	4.5	6.21	5.7	6.10	7.1	5.99	8.4	5.88	9.7	5.77	11.0
2250	7.41			2.3	7.24	3.6	7.06	5.0	6.93	6.4	6.82	7.9	6.71	9.3	6.60	10.7	6.49	12.1
BO 100	100A (4B)	1100	4.56	1.4	4.37	2.2	4.20	3.0	4.04	3.9	3.90	4.9	3.75	5.9				
		1300	5.59	1.8	5.41	2.6	5.24	3.6	5.08	4.7	4.94	5.9	4.79	7.0	4.64	8.1	4.49	9.2
		1450	6.34	2.0	6.16	3.0	6.00	4.1	5.84	5.3	5.69	6.6	5.55	7.9	5.42	9.2	5.28	10.5
		1550	6.85	2.1	6.67	3.1	6.50	4.3	6.34	5.6	6.20	7.0	6.06	8.4	5.92	9.8	5.79	11.2
		1750	7.82	2.6	7.64	3.7	7.48	5.1	7.32	6.5	7.17	8.1	7.04	9.6	6.90	11.1	6.76	12.6
		1950	8.78	2.8	8.60	4.1	8.43	5.6	8.27	7.3	8.13	9.0	7.99	10.8	7.85	12.6	7.72	14.4
		2250	10.3	3.4	10.1	5.2	9.93	7.1	9.77	9.0	9.63	10.7	9.49	12.7	9.35	14.7	9.21	16.7
BO 125	125A (5B)	1100	6.98	2.1	6.77	3.4	6.56	4.7	6.35	6.1	6.14	7.6	5.93	9.2	5.72	10.8	5.51	12.4
		1300	8.60	2.5	8.39	3.9	8.18	5.5	7.97	7.2	7.76	9.0	7.55	10.8	7.34	12.6	7.13	14.4
		1450	9.82	2.8	9.61	4.4	9.40	6.1	9.19	8.1	8.98	10.1	8.77	12.1	8.56	14.1	8.35	16.1
		1550	10.6	3.0	10.4	4.7	10.2	6.6	10.0	8.7	9.79	10.8	9.58	13.0	9.37	15.2	9.16	17.4
		1750	12.3	3.5	12.1	5.4	11.9	7.6	11.7	9.9	11.4	12.3	11.2	14.8	11.0	17.3	10.8	19.8
		1950	13.9	4.0	13.7	6.2	13.4	8.6	13.2	11.2	13.0	13.9	12.8	16.7	12.6	19.5	12.4	22.3
		2200	15.8	4.9	15.6	7.6	15.3	10.4	15.1	13.4	14.9	16.2	14.7	19.3	14.5	22.4	14.3	25.5
BO 150	150A (6B)	900	14.5	3.7	14.2	6.1	13.9	8.7	13.6	11.5	13.3	14.4	13.0	17.4				
		1050	17.4	4.6	17.1	7.6	16.8	10.6	16.5	13.8	16.2	17.2	15.9	20.8				
		1150	18.8	5.1	18.5	8.4	18.2	11.7	17.9	15.2	17.6	18.9	17.3	22.8				
		1250	20.7	5.9	20.4	9.3	20.1	13.0	19.8	16.8	19.5	20.8	19.2	25.0				
		1400	23.5	6.9	23.2	10.8	22.9	14.9	22.6	19.2	22.3	23.7	22.0	28.4				
		1550	26.4	8.1	26.1	12.4	25.8	16.9	25.5	21.7	25.2	26.8	24.9	32.1				
		1700	29.3	9.3	29.0	14.0	28.7	18.9	28.4	24.2	28.1	29.9	27.8	35.8				
BO 200	200A (8B)	900	25.2	8.2	24.0	12.2	22.8	16.2	21.8	20.2	20.9	24.1	20.1	28.8				
		1050	29.2	8.7	28.0	13.5	26.8	18.5	25.8	23.4	25.0	28.3	24.2	33.8				
		1150	32.2	9.2	31.0	14.8	29.8	20.4	28.8	26.1	28.1	31.7	27.4	37.9				
		1250	35.0	9.5	33.9	15.9	32.8	22.3	32.0	28.6	31.2	35.0	30.4	42.2				
		1350	38.1	9.9	37.0	17.0	35.9	24.1	35.0	31.2	34.3	38.8	33.6	46.6				
		1450	41.2	10.7	40.0	18.5	38.8	26.3	38.0	34.2	37.4	41.8	36.8	51.3				
		1600	45.9	11.9	44.5	20.8	43.2	29.6	42.5	38.7	42.0	46.3	41.6	58.4				

High-pressure type
:BO○OH

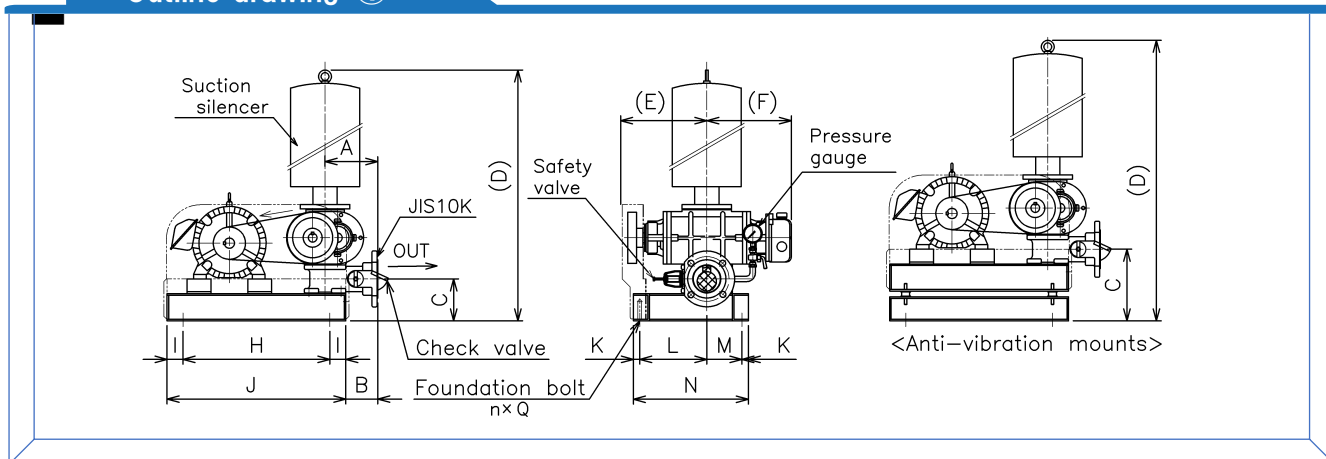
※ If discharge pressure is 61kpa or above, the product is designed to correspond to high-pressure specification. Products of standard specification (less than 60kpa) cannot be used as those of high-pressure specification. Please contact us for further details.

BO Type

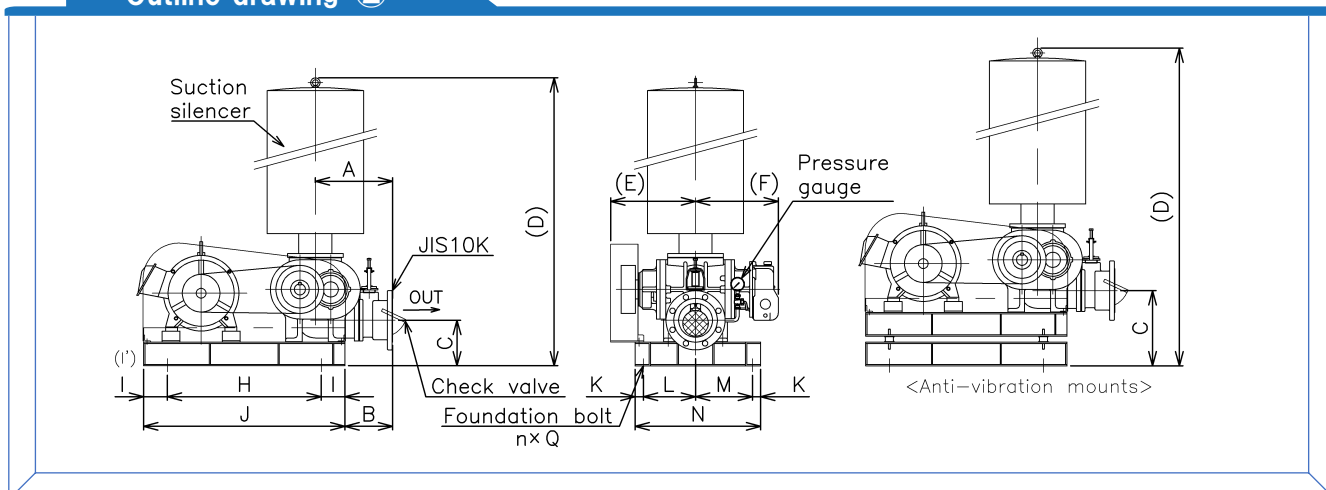


Outline drawing

Outline drawing ①



Outline drawing ②



Type	Bore	A	B	C※	D※	E	F	H	I(I')	J	K	L	M	N	n	Q	Weight (kg)	No.
BO50	50A	165	100	122 {215}	877 {970}	230	230	460	50	560	20	190	130	360	4	M12	82 {89}	①
BO50H						250		600									700	
BO65	65A	165	100	131 {224}	1020 {1113}	265	265	460	50	560	20	210	110	360	4	M12	109 {118}	①
BO65H						310		600									700	
BO80	80A	262	152	157 {257}	1087 {1187}	260	253	550	50	650	20	200	180	420	4	M12	130 {140}	②
BO80H						274		600									750	
BO100	100A	277	167	182 {282}	1117 {1217}	290	288	600	50 (100)	750	25	185	265	500	4	M12	141 {156}	②
BO100H						301												
BO125	125A	327	202	192 {317}	1282 {1407}	358	350	650	100	850	35	220	240	530	4	M12	252 {277}	②
BO125H																		
BO150	150A	412	252	237 {364}	1430 {1557}	395	410	800	100	1000	35	270	260	600	4	M12	410 {440}	②

※Weight showh covers the blower with standard accessories without motor.

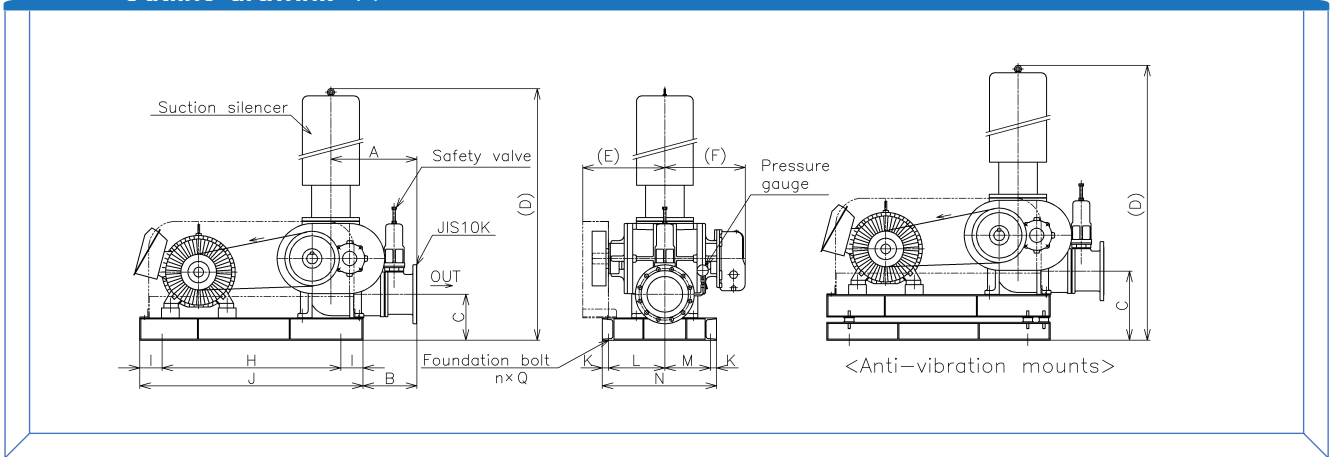
《Standaed accessories》Suction silencer,safety valve,V-pully,V-bellt,pressure gauge,base,beltcover,check valve.

Note: Please be aware that the size of the base may differ for special motors (special-configuration motors,heteroelectric motors,motors for exclu-sive use in inverters,etc)as well as motors with slide bases. Anti-vibration mounts,rubber vibration insulators.

BO Type



Outline drawing ③



Type	Bore	A	B	C※	D※	E	F	H	I	J	K	L	M	N	n	Q	Weight (kg)	No.
BO200	200A	482	302	257 {387}	2009 {2139}	460	450	1000	125	1250	35	315	255	640	4	M12	640 {680}	③

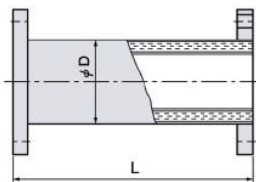


Energy saving !

	Type	New Type
Model	BS100	BO100
Capacity	5.97m ³ /min	6. 2m ³ /min
Required power	9. 2kW	7. 0kW
Energy saving	—	About 24%

Special Accessories

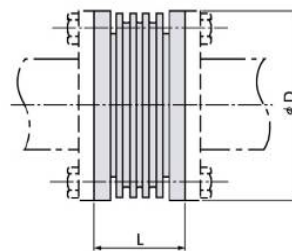
Delivery silencer ADS 吐出サイレンサ ADS



unit 単位 : mm

Model 型式	D	L	Weight 質量 (kg)
ADS20A	43	525	4.0
ADS25A	43	525	4.5
ADS32A	49	525	5.3
ADS40A	61	580	6.5
ADS50A	76	815	9.1
ADS65A	76	785	11.7
ADS80A	89	900	12.6
ADS100A	114	900	17.8
ADS125A	140	1000	27.8
ADS150A	165	1000	31.2
ADS200A	216	1000	42.5
ADS250A	267	1000	72.0
ADS300A	319	1000	88.0

Flexible joint (rubber) AFD-N フレキシブルジョイント(ゴム製) AFD-N



unit 単位 : mm

Model 型式	D	L	Weight 質量 (kg)
AFD25N	125	100	1.5
AFD32N	135	100	1.6
AFD40N	140	100	1.7
AFD50N	155	100	2.1
AFD65N	175	100	2.4
AFD80N	185	100	2.8
AFD100N	210	100	3.3
AFD125N	250	100	4.5
AFD150N	280	100	10.7
AFD200N	330	150	15.2

Note : Appearance and specifications are subject to change without notice.

※本カタログ記載内容については製品改良のため予告なく変更することがありますので、予めご了承下さい。